

LINEAR ELECTRIC ACTUATOR

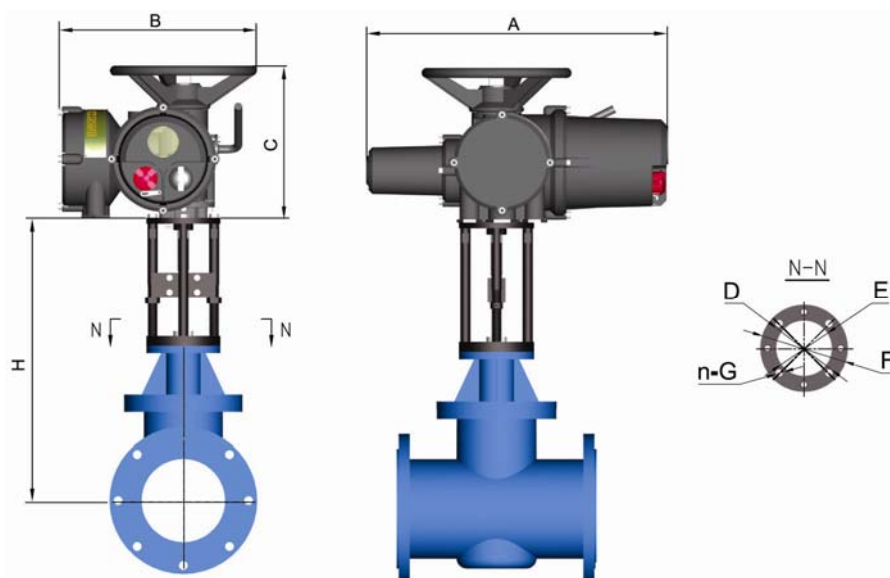
Linear electric actuator is composed of multi-reverse electric actuator and yoke. There are seven basic models. The output force ranges from 6~100kN when choosing 24rpm speed motor. Please consult factory for special application and requirement.



■ Sizing Table: (with Yoke)

Actuator Model	Yoke Model	Output force (KN)	Speed (rpm)	Max. travel (mm)	Input flange No. (actuator end)
CKDM6	JZ6	6	24	200	F10
CKDM10	JZ10	10	24	200	F10
CKDM16	JZ16	16	24	200	F10
CKDM25	JZ25	25	24	230	F14
CKDM40	JZ40	40	24	250	F16
CKDM60	JZ60	60	24	250	F16
CKDM100	JZ100	100	24	250	F25

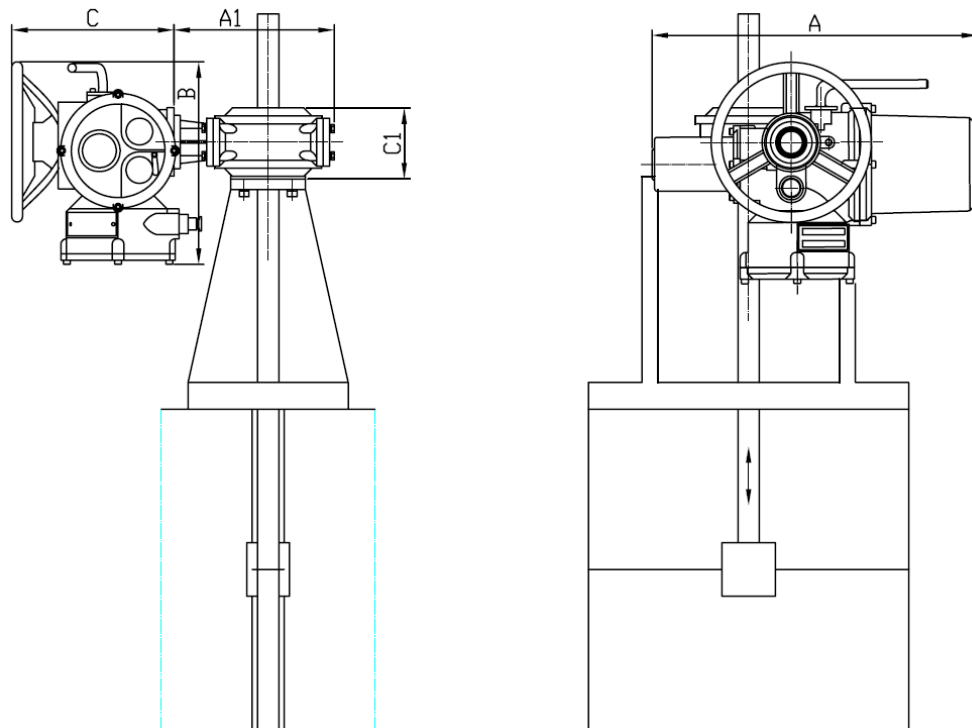
■ Dimension:



Actuator Model	A	B	C
CKDM4/10/16	610	410	330
CKDM25	760	610	390
CKDM40/60	790	790	410
CKDM100	900	760	610

Note: D, E, G, H data is according to valve manufacturer.

■ Dimension: (with gear box)



Actuator Model	A	B	C
CKD4/10/16	610	404	326
CKD25/40/60	752	788	408

Gear box model	A1	B1	C1
JW60-A	280	220	130
JW80/100-A	282	225	130
JW125/140-A	387	338	194
JW160/200-A	524	475	213