

QUARTER-TURN ELECTRIC ACTUATOR

Quarter-Turn electric actuators refer to part of reverse electric actuators. Torque ranges from 100N·m to 600N·m, we offer quarter-turn actuator. For application torque is higher than 600N.m, we offer multi-turn+ Gear box solution.

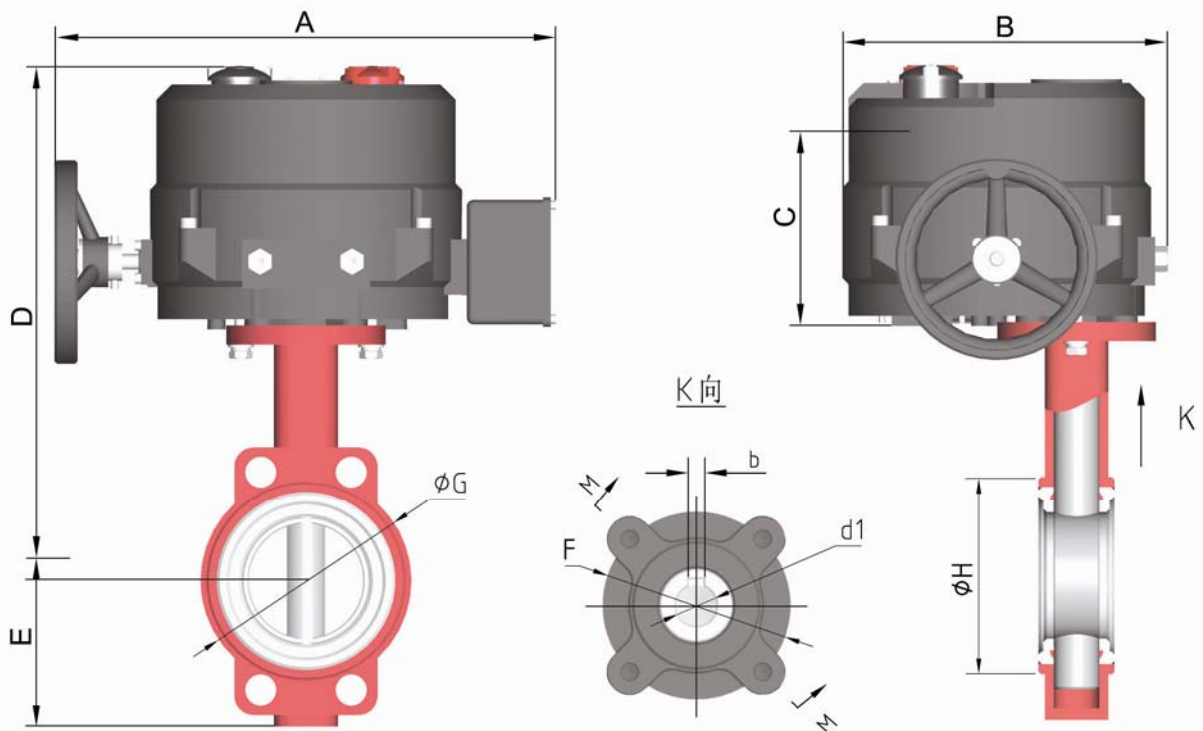


■ Sizing Table I (100~600N.m)

Model of actuator	Torque (Nm)	90°travel time (S)	Interface Flange
CKDJ10/25	100/250	10/25	F10
CKDJ40/60	400/600	10/25	F12

■ Dimension:

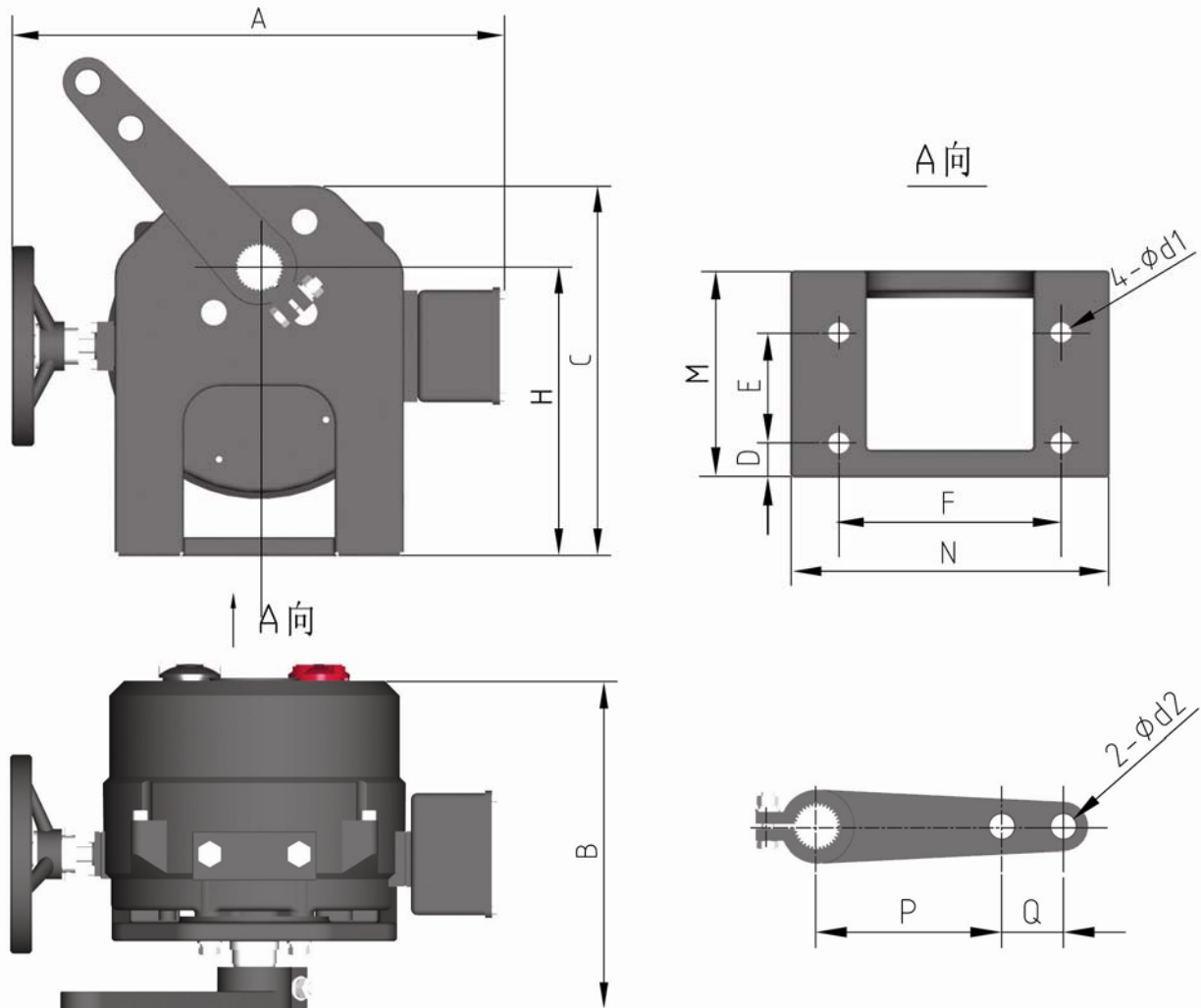
Direct drive actuator (A Type)



Model	A	B	C	F	d1	b	Depth of hole
CKDJ10A/25A	380	270	210	F10	Φ22	8	30
CKDJ40A/60A	460	330	320	F12	Φ28	8	35

Note: other dimension is decided by specific parameter of valves.

Lever arm actuator (Z Type)



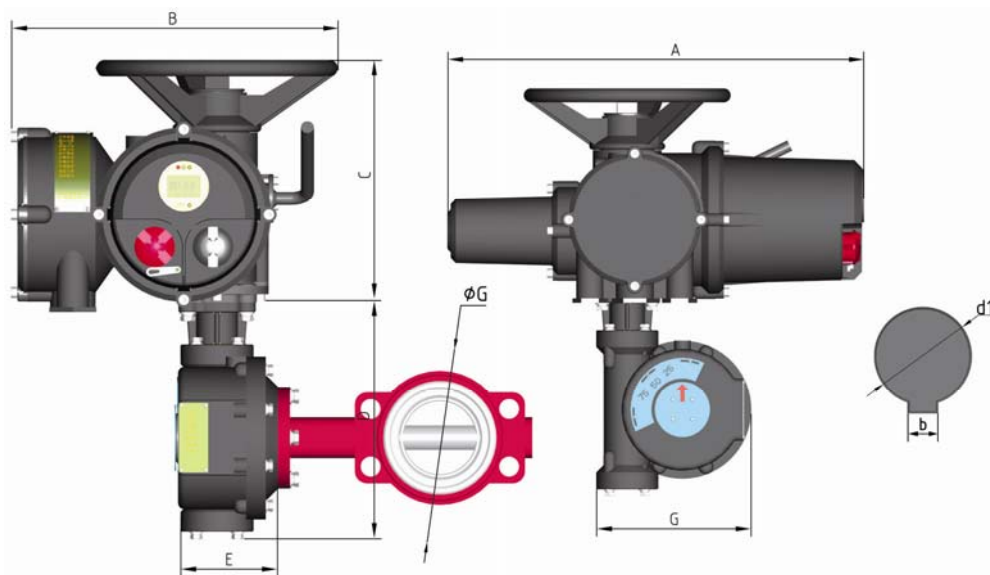
Model	A	B	C	D	E	F	H
CKDJ10Z/25Z	410	330	300	45	80	160	230
CKDJ40Z/60Z	480	320	350	55	80	200	280

Model	M	N	P	Q	D1	D2	Depth of arm
CKDJ10Z/25Z	150	230	150	50	$\Phi 15$	$\Phi 20$	15
CKDJ40Z/60Z	165	280	150	50	$\Phi 15$	$\Phi 20$	15

■ Sizing Table II:(above 600N.m application)

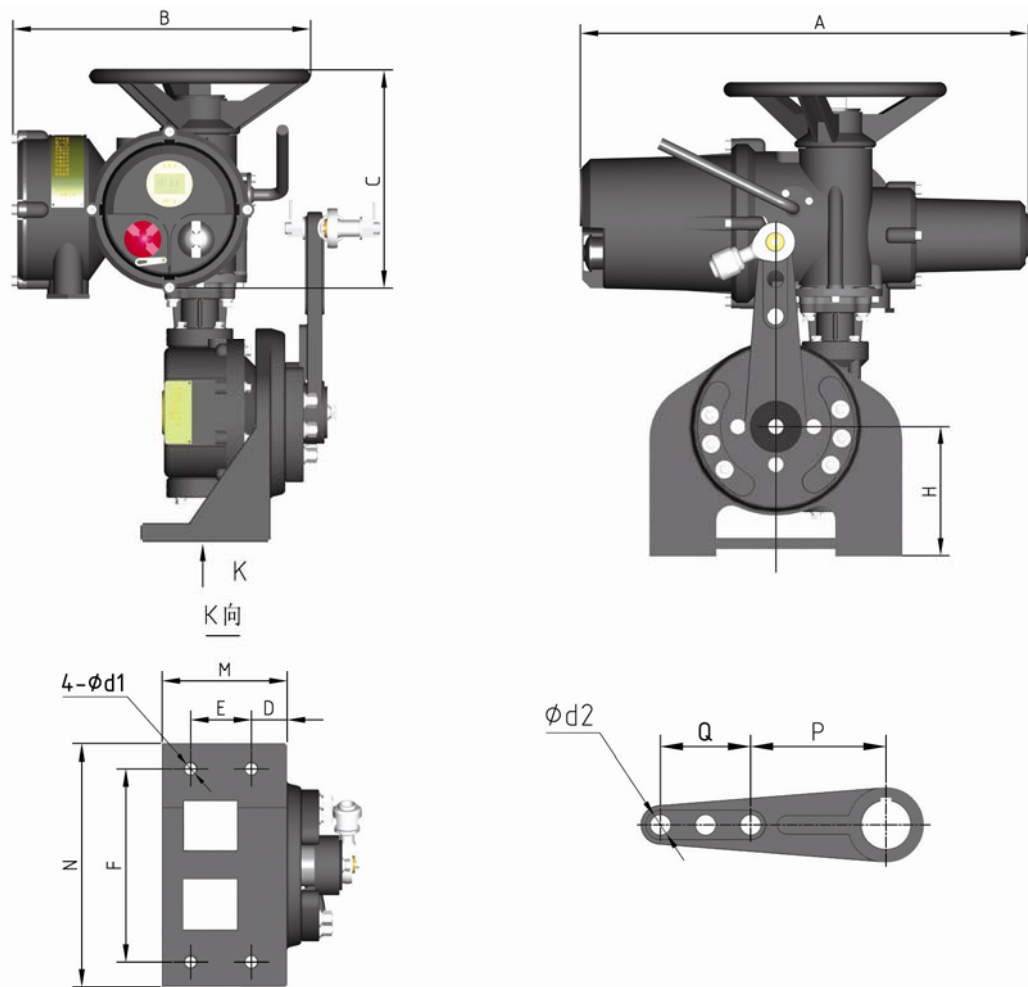
Model of actuator/Gear box	Torque of actuator (Nm)	90° travel time (S)	Flange
CKD4/JW60	600	25/40	F10
CKD4/JW80	1350	25/40	F10
CKD10/JW100	2670	25/40	F14
CKD16/JW125	5650	25/40	F16
CKD25/JW140	7120	25/40	F16
CKD40/JW160	12000	25/40	F25
CKD60/JW200	20500	25/40	F25
CKD60/JW250	30000	60/120	F30
CKD60/JW280	40000	75/150	F36
CKD60/JW315	48600	84/168	F35
CKD60/JW400	64800	112.5/225	F35

■ Dimension:



Model of actuator	A	B	C
CKD4/10/16	610	410	330
CKD25	760	610	390
CKD40/60	790	790	410

Model of Gear box	D	E	G	d1 (H8)	b	Depth of hole
JW60A	250	120	200	Φ28	8	55
JW80A	320	130	230	Φ36	10	65
JW100A	360	140	280	Φ48	14	80
JW125A	410	170	330	Φ50	14	120
JW140A	480	200	370	Φ56	16	150
JW160A	540	200	410	Φ70	20 (double)	150
JW200A	640	270	500	Φ90	25 (double)	150
JW250A	620	300	720	Φ130	32 (double)	150



Actuator Model	A	B	C
CKD4/10/16	610	410	330
CKD25	760	610	390
CKD40/60	790	790	410

Gear Box Model	D	E	F	M	N	P	Q	H	d1	d2	Depth of arm
JW60Z	41.5	50	178	123	238	150	50	156.5	12	22	17.5
JW80Z	50	85	270	155	340	150	100	175	16	22	26
JW100Z	50	85	292	155	362	150	100	200	16	22	26
JW125Z	60	115	340	195	420	200	100	255	20	26	30
JW140Z	60	115	380	195	480	200	100	265	20	26	30
JW160Z	75	120	400	230	522	300	100	290	26	26	30
JW200Z	70	160	500	260	660	300	100	330	26	26	30
JW250Z	80	180	650	300	790	300	200	360	32	30	30