

### MULTI-TURN ELECTRIC ACTUATOR

Multi-Turn electric actuators are fundamental actuator. There are altogether ten basic models of multi-reverse electric actuators. The Torque ranges from 40N·m to 3000N·m. Please consult factory for special application and requirement.

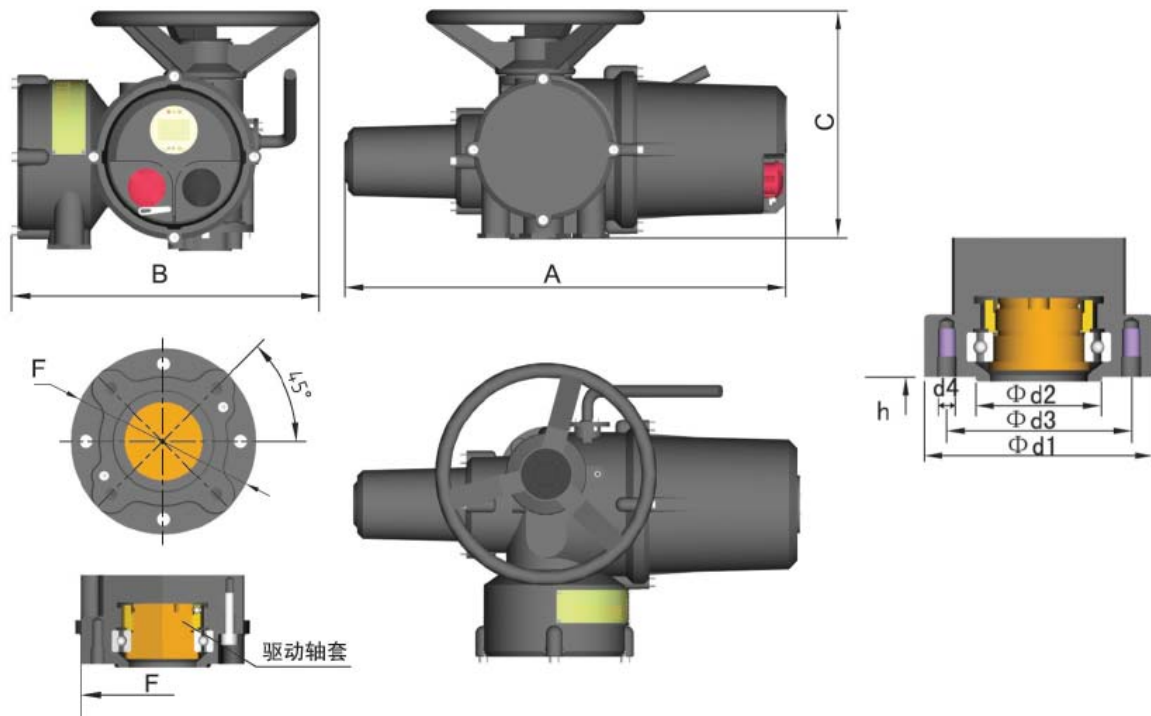


■ **Sizing Table:**

Actuator Model	Torque (Nm)	Speed (rpm)	Flange
CKD4	40	24	F10
CKD10	100	24	F10
CKD16	160	24	F10
CKD25	250	24	F14
CKD40	400	24	F16
CKD60	600	24	F16
CKD100	1000	24/10	F25
CKD160	1600	6/12	F25
CKD250	2500	6/12	F16
CKD300	3000	6	F25



■ Dimension:



Model	A	B	C	F	Key hole (Max)	Screw hole (Max)
CKD4/10/16	610	410	330	F10	Φ26	Tr32
CKD25/30	760	610	390	F14	Φ30	Tr34
CKD40/60	790	790	410	F16	Φ42	Tr48
CKD100	900	760	610	F25	Φ48	Tr52
CKD160	730	790	790	F14	Φ35	Tr40
CKD250	920	790	790	F16	Φ55	Tr60
CKD300	960	790	790	F25	Φ65	Tr70

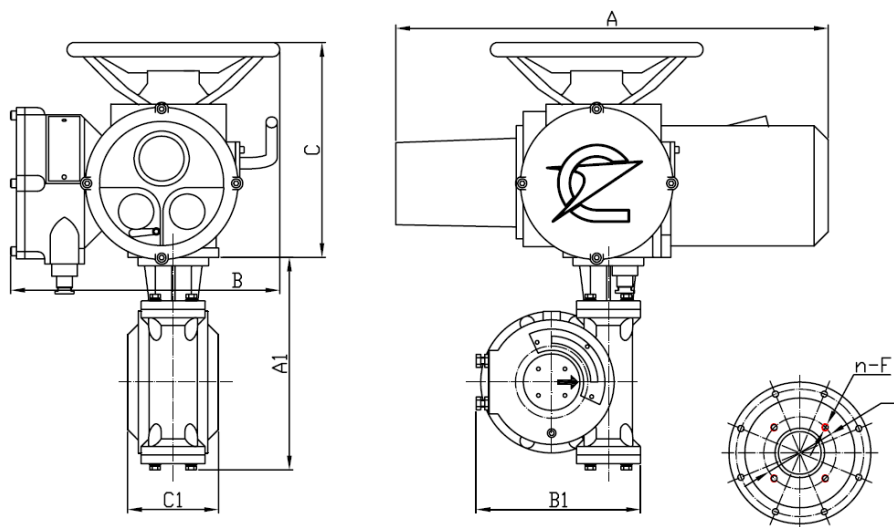
Flange No.	Φd1	Φd2	Φd3	d4	h	No. of Screw hole
F10	125	70	102	M10	3	4
F12	150	85	125	M12	3	4
F14	175	100	140	M16	4	4
F16	210	130	165	M20	5	4
F25	300	200	254	M16	5	8
F30	350	230	298	M20	5	8
F35	415	260	356	M30	5	8

### ■ Sizing table: (with gear box)

Model of actuator/Gear box	Torque of actuator (Nm)	90°travel time (S)	Flange
CKD4/JW60-A	600	25	F10
CKD4/JW80-A	1350	25	F10
CKD10/JW100-A	2670	25	F14
CKD16/JW125-A	5650	25	F16
CKD25/JW140-A	7120	25	F16
CKD40/JW160-A	12000	25	F25
CKD60/JW200-A	20500	25	F25
CKD60/JW250-A	30000	60/120	F30
CKD60/JW280-A	40000	75/150	F36
CKD60/JW315-A	48600	84/168	F35
CKD60/JW400-A	64800	112.5/225	F35

Please consult factory for sizing the actuator and gear box for high torque application.

### ■ Dimension: (with gear box)



Actuator model	A	B	C
CKD4/10/16	610	404	326
CKD25/40/60	752	788	408

Model of Gear box	A1	B1	C1	Flange no.	E	F	n
JW60-A	280	220	130	F16	165	M20	4
JW80/100-A	282	225	130	F25	254	M16	8
JW125/140-A	387	338	194	F30	298	M20	8
JW160/200-A	524	475	213	F35	356	M30	8
				F40	406	M36	8
				F48	483	M36	12